



***Raccords adapteurs Serie B200***

## **RACCORD STANDARD SERIE B200**

### **Domaine d application:**

Circuit pneumatique

### **Raccord**

La pression nominale (BAR) des garnitures est toujours plus haute que la pression utilisée dans le tuyau.

La pression et la température dépendent du tuyau utilisé, leurs valeurs seront définies en fonction des caractéristiques du tuyau.

La pression maximum a suggéré la barre 60

### **Matériaux utilisés**

Laiton UNI EN 12164 CW 614N.

Laiton UNI EN 12165 CW 617N.

### **Finition surface**

Nickele

### **Utilisation de l'aluminium**

Alliage aluminium 2017 UNI EN 573-3

### **Finition surface**

Naturel

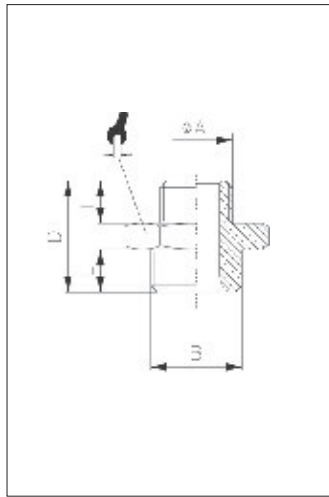
### **Filetage**

Conique ISO 7 - DIN 2999 - BS 21

Cylindrique - ISO 228

Métrique - ISO R/262

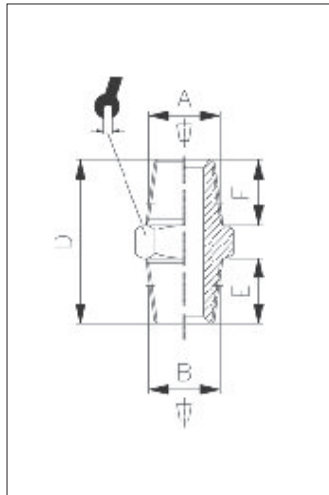
**B216  
B217**



**MAMELON CYLINDRIQUE**

CODE	A	B	D	E	F		
B216 M5	M5	M5	11,5	4,0	4,0	8	50
B216 1/8	G1/8	G1/8	16,5	6,0	6,0	14	50
B216 1/4	G1/4	G1/4	21,0	8,0	8,0	17	50
B216 3/8	G3/8	G3/8	23,0	9,0	9,0	19	50
B216 1/2	G1/2	G1/2	25,5	10,0	10,0	24	25
B216 3/4	G3/4	G3/4	28,5	11,0	11,0	30	20
B217 M5 1/8	M5	G1/8	14,5	6,0	4,0	14	50
B217 1/8 1/4	G1/8	G1/4	19,0	8,0	6,0	17	50
B217 1/8 3/8	G1/8	G3/8	20,0	9,0	6,0	19	50
B217 1/4 3/8	G1/4	G3/8	22,0	9,0	8,0	19	50
B217 1/4 1/2	G1/4	G1/2	23,5	10,0	8,0	24	50
B217 3/8 1/2	G3/8	G1/2	24,5	10,0	9,0	24	50
B217 1/2-3/4	G1/2	G3/4	27,5	11,0	10,0	30	25
B217 3/4 1	G3/4	G1	32,0	23,0	15,0	22	20

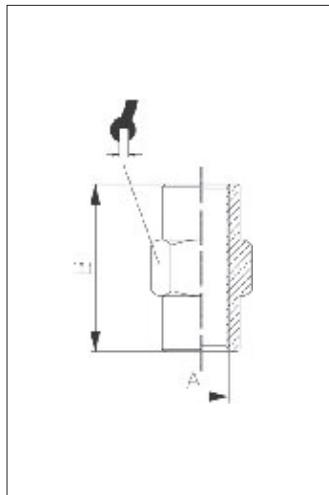
**B214  
B215**



**MAMELON CONIQUE**

CODE	A	B	D	E	F		
B214 1/8	R1/8	R1/8	20,5	8,0	8,0	12	50
B214 1/4	R1/4	R1/4	27,0	11,0	11,0	14	50
B214 3/8	R3/8	R3/8	28,0	11,5	11,5	17	50
B214 1/2	R1/2	R1/2	33,5	14,0	14,0	22	50
B214 3/4	R3/4	R3/4	39,5	16,5	16,5	27	20
B214 1	R1	R1	45,5	19,0	19,0	34	10
B215 1/8 1/4	R1/8	R1/4	24,0	11,0	8,0	14	50
B215 1/8 3/8	R1/8	R3/8	24,5	11,5	8,0	17	50
B215 1/4 3/8	R1/4	R3/8	27,5	11,5	11,0	17	50
B215 1/4 1/2	R1/4	R1/2	30,5	14,0	11,0	22	50
B215 3/8 1/2	R3/8	R1/2	31,0	14,0	11,5	22	50
B215 1/2 3/4	R1/2	R3/4	37,0	16,5	14,0	27	25
B215 3/4 1	R3/4	R1	42,5	19,0	16,5	34	10

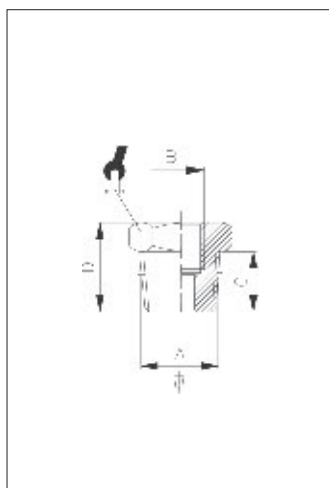
**B223**



**MANCHON**

CODE	A	B		
B223 M5	M5	11,0	8	50
B223 1/8	G1/8	15,0	14	50
B223 1/4	G1/4	22,0	17	50
B223 3/8	G3/8	23,0	22	50
B223 1/2	G1/2	28,0	26	25
B223 3/4	G3/4	32,0	32	20

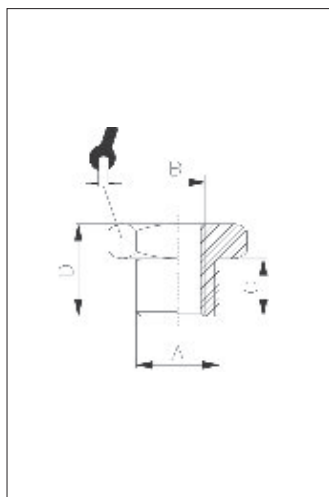
**B221**



**REDUCTEUR CONIQUE**

CODE	A	B	C	D		
B221 1/4 1/8	R1/4	G1/8	11,0	16,0	14	50
B221 3/8 1/8	R3/8	G1/8	11,5	16,5	17	50
B221 3/8 1/4	R3/8	G1/4	11,5	16,5	17	50
B221 1/2 1/8	R1/2	G1/8	14,0	19,5	22	25
B221 1/2 1/4	R1/2	G1/4	14,0	19,5	22	50
B221 1/2 3/8	R1/2	G3/8	14,0	19,5	22	50
B221 3/4 3/8	R3/4	G3/8	16,5	23,0	27	20
B221 3/4 1/2	R3/4	G1/2	16,5	23,0	27	20
B221 1 1/2	R1	G1/2	14,0	21,5	34	10

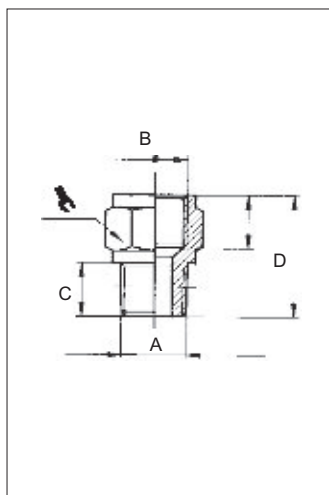
## B222



## PROLONGATEUR EGAL

CODE	A	B	C	D		
B222 1/8 M5	G1/8	M5	6,0	10,5	14	50
B222 1/4 1/8	G1/4	G1/8	8,0	13,0	17	50
B222 3/8 1/8	G3/8	G1/8	9,0	14,0	19	50
B222 3/8 1/4	G3/8	G1/4	9,0	14,0	19	50
B222 1/2 1/8	G1/2	G1/8	10,0	15,5	24	25
B222 1/2 1/4	G1/2	G1/4	10,0	15,5	24	50
B222 1/2 3/8	G1/2	G3/8	10,0	15,5	24	50
B222 3/4 3/8	G3/4	G3/8	11,0	17,5	30	25
B222 3/4 1/2	G3/4	G1/2	11,0	17,5	30	20

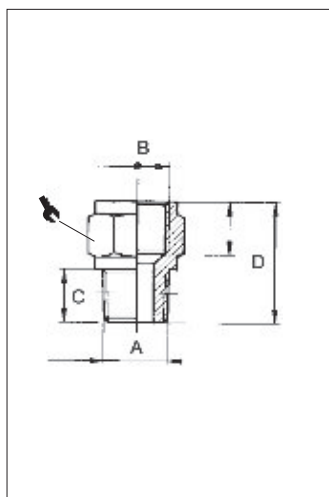
## B218



## PROLONGATEUR DE REDUCTION CONIQUE

CODE	A	B	C	8,0D		
B218 1/8	R1/8	G1/8		18,0	14	50
B218 1/8 1/4	R1/8	G1/4	8,0	21,5	17	50
B218 1/8 3/8	R1/8	G3/8	8,0	22,5	22	50
B218 1/4	R1/4	G1/4	11,0	24,5	17	50
B218 1/4 3/8	R1/4	G3/8	11,0	25,5	22	50
B218 1/4 1/2	R1/4	G1/2	11,0	29,0	24	50
B218 3/8	R3/8	G3/8	11,5	26,0	22	50
B218 3/8 1/2	R3/8	G1/2	11,5	29,5	24	50
B218 1/2	R1/2	G1/2	14,0	32,0	26	25
B218 1/2 3/4	R1/2	G3/4	14,0	35,0	32	20

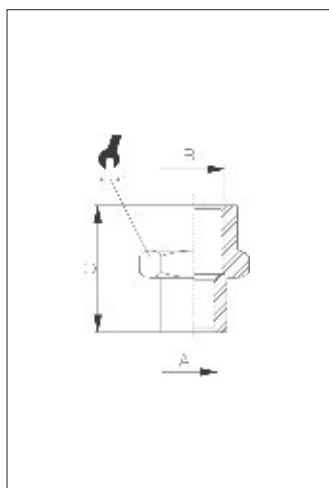
## B219



## PROLONGATEUR DE REDUCTION CYLINDRIQUE

CODE	A	B	C	D		
B219 M5 1/8	M5	G1/8	4,0	14,5	14	50
B219 1/8	G1/8	G1/8	6,0	16,0	14	50
B219 1/8 1/4	G1/8	G1/4	6,0	19,5	17	50
B219 1/8 3/8	G1/8	G3/8	6,0	20,5	22	50
B219 1/4	G1/4	G1/4	8,0	21,5	17	50
B219 1/4 3/8	G1/4	G3/8	8,0	22,5	22	50
B219 1/4 1/2	G1/4	G1/2	8,0	26,0	24	50
B219 3/8	G3/8	G3/8	9,0	23,5	22	50
B219 3/8 1/2	G3/8	G1/2	9,0	27,0	24	50
B219 1/2	G1/2	G1/2	10,0	28,0	26	25

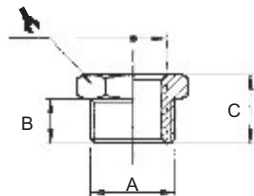
## B224



## RACCORD INEGAL

CODE	A	B	C		
B224 M5 1/8	M5	G1/8	13,5	14	50
B224 1/8 1/4	G1/8	G1/4	19,0	17	50
B224 1/8 3/8	G1/8	G3/8	20,0	22	50
B224 1/8 1/2	G1/8	G1/2	24,0	24	50
B224 1/4 3/8	G1/4	G3/8	22,5	22	50
B224 1/4 1/2	G1/4	G1/2	26,0	24	50
B224 3/8 1/2	G3/8	G1/2	26,0	24	50
B224 1/2 3/4	G1/2	G3/4	30,0	32	25

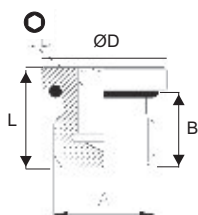
## B229



### BOUCHON MALE CYLINDRIQUE

CODE	A	B	C		
B229 M5	M5	4,0	7,0	8	50
B229 1/8	G1/8	6,0	10,0	14	50
B229 1/4	G1/4	8,0	12,5	17	50
B229 3/8	G3/8	9,0	13,5	19	50
B229 1/2	G1/2	10,0	15,5	24	50
B229 3/4	G3/4	11,0	16,5	30	25
B229 1	G1	13,0	19,0	38	10

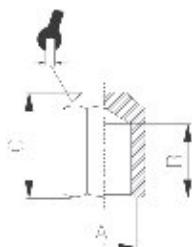
## B230



### BOUCHON MALE CYLINDRIQUE AVEC JOINT

CODE	A	B	L	ØD	Ø	
B230 M5	M5	4,5	7,2	8,0	2,5	50
B230 1/8	G1/8	6,5	9,5	14,0	5	50
B230 1/4	G1/4	8,0	11,5	17,0	6	50
B230 3/8	G3/8	9,0	12,5	20,0	8	50
B230 1/2	G1/2	10,0	14,0	26,0	10	25

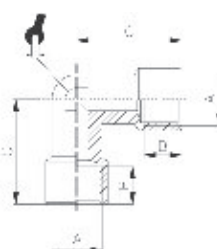
## B231



### BOUCHON FEMELLE

CODE	A	B	C		
B231 1/8	G1/8	8,0	11,5	14	50
B231 1/4	G1/4	11,0	15,0	17	50
B231 3/8	G3/8	11,5	15,5	20	50
B231 1/2	G1/2	14,0	20,0	24	25

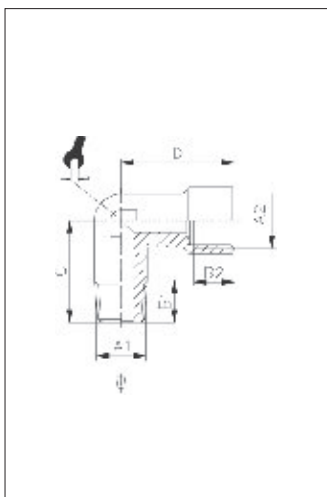
## B203



### RACCORD COUDE FEMELLE

CODE	A	B	C		
B203 M5	M5	4,0	11,0	8	50
B203 1/8	G1/8	8,0	21,0	10	50
B203 1/4	G1/4	11,0	25,5	13	50
B203 3/8	G3/8	11,5	28,0	17	50
B203 1/2	G1/2	14,0	33,5	21	25
B203 3/4	G3/4	16,5	36,5	25	20
B203 1	G1	19,0	45,0	30	10

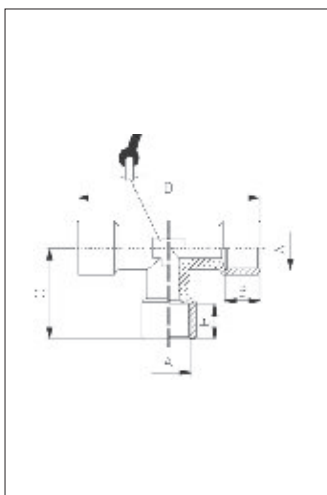
## B202



## RACCORD COUDE MALE - FEMELLE

CODE	A1	A2	B1	B2	C	D		
B202 M5	M5	M5	4,0	5,0	11,5	11,0	9	50
B202 1/8	R1/8	G1/8	8,0	8,0	18,5	21,0	10	50
B202 1/4	R1/4	G1/4	11,0	11,0	23,5	25,5	13	50
B202 3/8	R3/8	G3/8	11,5	11,5	26,0	28,0	17	50
B202 1/2	R1/2	G1/2	14,0	14,0	31,0	33,5	21	25
B202 3/4	R3/4	G3/4	16,0	16,5	33,0	36,5	25	20
B202 1	R1	G1	17,0	19,0	39,0	45,0	30	10

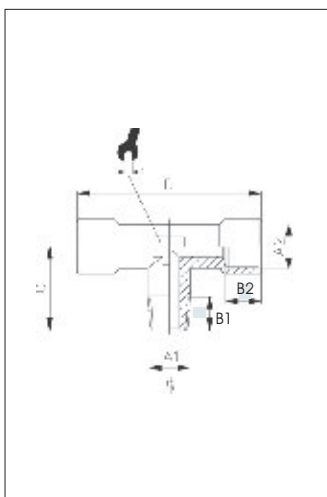
## B207



## T FEMELLE

CODE	A	B	C	D		
B207 M5	M5	5	11,0	22,0	9	50
B207 1/8	G1/8	8,0	21,0	42,0	10	50
B207 1/4	G1/4	11,0	25,5	51,0	13	50
B207 3/8	G3/8	11,5	28,0	56,0	17	50
B207 1/2	G1/2	14,0	33,5	67,0	21	25
B207 3/4	G3/4	16,5	36,5	73,0	25	20
B207 1	G1	19,0	45,0	90,0	30	10

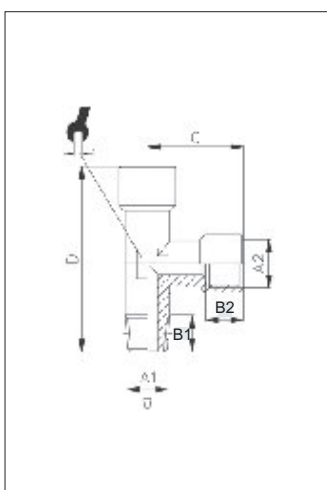
## B208



## T CENTRAL FEMELLE-MALE-FEMELLE

CODE	A1	A2	B1	B2	C	D		
B208 M5	M5	M5	4,0	5,0	11,5	22,0	9	50
B208 1/8	R1/8	G1/8	8,0	8,0	18,5	42,0	10	50
B208 1/4	R1/4	G1/4	11,0	11,0	23,5	51,0	13	50
B208 3/8	R3/8	G3/8	11,5	11,5	26,0	56,0	17	50
B208 1/2	R1/2	G1/2	14,0	14,0	31,0	67,0	21	25
B208 3/4	R3/4	G3/4	16,0	16,5	33,0	73,0	25	20
B208 1	R1	G1	17,5	19,0	39,0	90,0	30	10

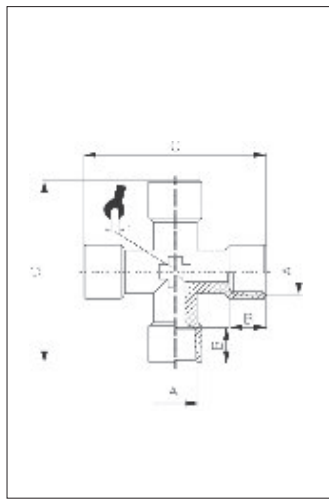
## B206



## T MALE-FEMELLE-MALE

CODE	A1	A2	B1	B2	C	D		
B206 M5	M5	M5	4,0	5,0	11,0	22,5	9	50
B206 1/8	R1/8	G1/8	8,0	8,0	21,0	39,5	10	50
B206 1/4	R1/4	G1/4	11,0	11,0	25,5	49,0	13	50
B206 3/8	R3/8	G3/8	11,5	11,5	28,0	54,0	17	50
B206 1/2	R1/2	G1/2	14,0	14,0	33,5	64,5	21	25
B206 3/4	R3/4	G3/4	16,5	16,5	36,5	69,5	25	20
B206 1	R1	G1	17,5	19,0	45,0	84,0	30	10

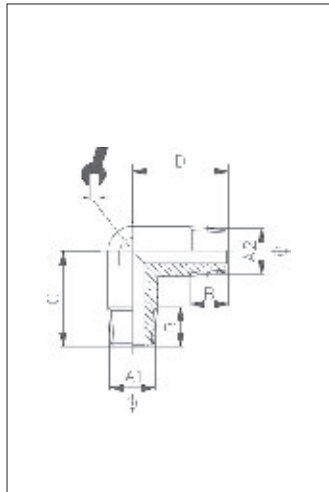
## B212



## CROIX FEMELLE

CODE	A	B	C		
B212 1/8	G1/8	8,0	42,0	10	25
B212 1/4	G1/4	11,0	51,0	13	25
B212 3/8	G3/8	11,5	56,0	17	25
B212 1/2	G1/2	14,0	67,0	21	20

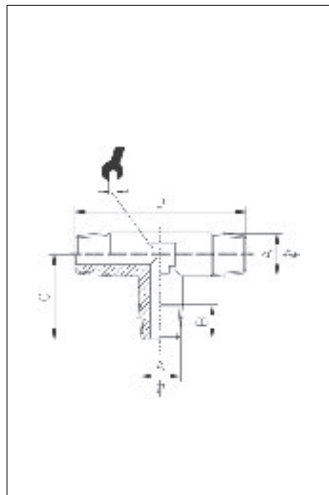
## B201



## RACCORD COUDE MALE

CODE	A1	A2	B1	B2	C	D		
B201 M5	M5	M5	4,0	4,0	11,5	11,5	8	50
B201 1/8	R1/8	R1/8	8,0	8,0	18,5	18,5	10	50
B201 1/4	R1/4	R1/4	11,0	11,0	23,5	23,5	13	50
B201 3/8	R3/8	R3/8	11,5	11,5	26,0	26,0	17	50
B201 1/2	R1/2	R1/2	14,0	14,0	31,0	31,0	21	25
B201 3/4	R3/4	R3/4	16,0	16,0	33,0	33,0	25	20
B201 1	R1	R1	17,0	17,0	39,0	39,0	30	10

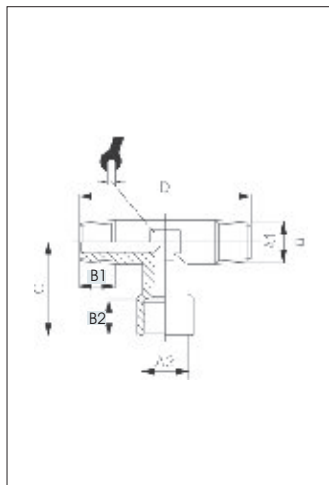
## B204



## T MALE

CODE	A	B	C	D		
B204 1/8	R1/8	8,0	18,5	37,0	10	50
B204 1/4	R1/4	11,0	23,5	47,0	13	50
B204 3/8	R3/8	11,5	26,0	52,0	17	50
B204 1/2	R1/2	14,0	31,0	62,0	21	25
B204 3/4	R3/4	16,2	33,0	66,4	25	20
B204 1	R1	17,5	39,0	78,0	30	10

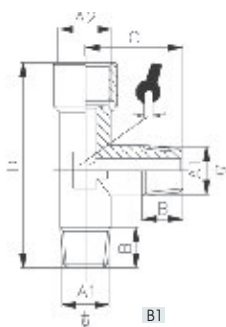
## B205



## T MALE-FEMELLE-MALE

CODE	A1	A2	B1	B2	C	D		
B205 1/8	R1/8	G1/8	8,0	8,0	21,0	37,0	10	50
B205 1/4	R1/4	G1/4	11,0	11,0	25,5	47,0	13	50
B205 3/8	R3/8	G3/8	11,5	11,5	28,0	52,0	17	50
B205 1/2	R1/2	G1/2	14,0	14,0	33,5	62,0	21	25
B205 3/4	R3/4	G3/4	16,2	16,5	36,5	66,4	25	20
B205 1	R1	G1	17,5	19,0	45,0	78,0	30	10

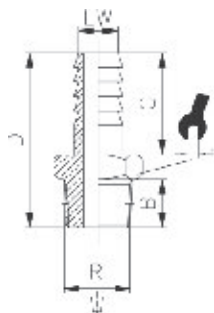
## B209



### T MALE-MALE-FEMELLE

CODE	A1	A2	B	C	D		
B209 1/8	R1/8	G1/8	8,0	18,5	39,5	10	50
B209 1/4	R1/4	G1/4	11,0	23,5	49,0	13	50
B209 3/8	R3/8	G3/8	11,5	26,0	54,0	17	50
B209 1/2	R1/2	G1/2	14,0	31,0	64,5	21	25
B209 3/4	R3/4	G3/4	16,0	33,0	69,5	25	20
B209 1	R1	G1	17,5	39,0	84,0	30	10

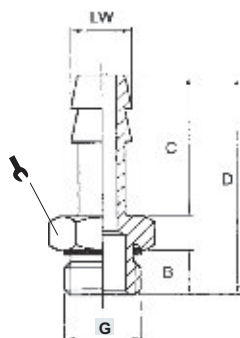
## B225



### DOUILLE CANELÉE CONIQUE

CODE	LW	R	B	C	D		
B225 6 1/8	6,0	R1/8	8,0	19,0	31,5	12	50
B225 6 1/4	6,0	R1/4	11,0	19,0	35,0	14	50
B225 7 1/8	7,0	R1/8	8,0	19,0	31,5	12	50
B225 7 1/4	7,0	R1/4	11,0	19,0	35,0	14	50
B225 8 1/8	8,0	R1/8	8,0	19,0	31,5	12	50
B225 8 1/4	8,0	R1/4	11,0	19,0	35,0	14	50
B225 9 1/8	9,0	R1/8	8,0	19,0	31,5	12	50
B225 9 1/4	9,0	R1/4	11,0	19,0	35,0	14	50
B225 9 3/8	9,0	R3/8	11,5	19,0	35,5	17	50
B225 9 1/2	9,0	R1/2	14,0	19,0	38,5	22	50
B225 10 1/8	10,0	R1/8	8,0	20,0	32,5	12	50
B225 10 1/4	10,0	R1/4	11,0	20,0	36,0	14	50
B225 10 3/8	10,0	R3/8	11,5	20,0	36,5	17	50
B225 10 1/2	10,0	R1/2	14,0	20,0	39,5	22	50
B225 12 1/4	12,0	R1/4	11,0	20,0	36,0	14	50
B225 12 3/8	12,0	R3/8	11,5	20,0	36,5	17	50
B225 12 1/2	12,0	R1/2	14,0	20,0	39,5	22	50
B225 14 3/8	14,0	R3/8	11,5	22,0	38,5	17	50
B225 14 1/2	14,0	R1/2	14,0	22,0	41,5	22	50
B225 16 3/8	16,0	R3/8	11,5	22,0	38,5	17	50
B225 16 1/2	16,0	R1/2	14,0	22,0	41,5	22	50
B225 16 3/4	16,0	R3/4	16,5	22,0	45,0	27	50
B225 17 3/8	17,0	R3/8	11,5	24,0	40,5	18	50
B225 17 1/2	17,0	R1/2	14,0	24,0	43,5	22	50
B225 18 3/8	18,0	R3/8	11,5	24,0	40,5	19	50
B225 18 1/2	18,0	R1/2	14,0	24,0	43,5	22	50
B225 18 3/4	18,0	R3/4	16,5	24,0	47,0	27	50
B225 20 3/8	20,0	R3/8	11,5	24,0	41,0	22	25
B225 20 1/2	20,0	R1/2	14,0	24,0	43,5	22	25
B225 20 3/4	20,0	R3/4	16,5	24,0	46,5	27	20
B225 25 3/4	25,0	R3/4	16,5	30,0	53,0	27	20
B225 25 1	25,0	R1	19,0	30,0	56,0	34	10

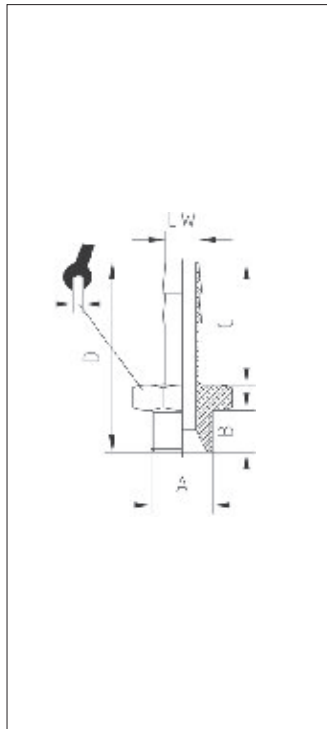
## B227



### DOUILLE CANELÉE CYLINDRIQUE + JOINT

CODE	LW	G	B	C	D		
B227 4,5 M5	4,5	M5	4,5	15,0	23,0	8	50
B227 6 1/8	6,0	G1/8	6,5	19,0	30,0	14	50
B227 6 1/4	6,0	G1/4	8,0	19,0	32,0	17	50
B227 7 1/8	7,0	G1/8	6,5	19,0	30,0	14	50
B227 7 1/4	7,0	G1/4	8,0	19,0	32,0	17	50
B227 8 1/8	8,0	G1/8	6,5	19,0	30,0	14	50
B227 8 1/4	8,0	G1/4	8,0	19,0	32,0	17	50
B227 9 1/8	9,0	G1/8	6,5	19,0	30,0	14	50
B227 9 1/4	9,0	G1/4	8,0	19,0	32,0	17	50
B227 9 3/8	9,0	G3/8	9,0	19,0	33,0	20	50
B227 12 1/4	12,0	G1/4	8,0	20,0	33,0	17	50
B227 12 3/8	12,0	G3/8	9,0	20,0	34,0	20	50
B227 12 1/2	12,0	G1/2	10,0	20,0	35,5	25	50
B227 17 3/8	17,0	G3/8	9,0	24,0	38,0	20	50
B227 17 1/2	17,0	G1/2	10,0	24,0	39,5	25	50

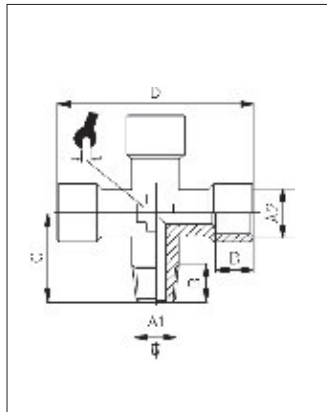
## B226



## DOUILLE CANNELEE CYLINDRIQUE

CODE	LW	A	C	B	D		
B226 4,5 M5	4,5	M5	15,0	4,0	22,5	8	50
B226 6 1/8	6,0	G1/8	19,0	6,0	29,5	12	50
B226 6 1/4	6,0	G1/4	19,0	8,0	32,0	14	50
B226 7 1/8	7,0	G1/8	19,0	6,0	29,5	12	50
B226 7 1/4	7,0	G1/4	19,0	8,0	32,0	14	50
B226 8 1/8	8,0	G1/8	19,0	6,0	29,5	12	50
B226 8 1/4	8,0	G1/4	19,0	8,0	32,0	14	50
B226 8 3/8	8,0	G3/8	19,0	9,0	33,0	19	50
B226 9 1/8	9,0	G1/8	19,0	6,0	29,5	12	50
B226 9 1/4	9,0	G1/4	19,0	8,0	32,0	14	50
B226 9 3/8	9,0	G3/8	19,0	9,0	33,0	19	50
B226 10 1/8	10,0	G1/8	20,0	6,0	30,5	12	50
B226 10 1/4	10,0	G1/4	20,0	8,0	33,0	14	50
B226 10 3/8	10,0	G3/8	20,0	9,0	34,0	19	50
B226 12 1/4	12,0	G1/4	20,0	8,0	33,0	14	50
B226 12 3/8	12,0	G3/8	20,0	9,0	34,0	19	50
B226 12 1/2	12,0	G1/2	20,0	10,0	35,5	22	50
B226 14 3/8	14,0	G3/8	22,0	9,0	36,0	19	50
B226 14 1/2	14,0	G1/2	22,0	10,0	37,5	22	50
B226 17 3/8	17,0	G3/8	24,0	9,0	38,0	19	50
B226 17 1/2	17,0	G1/2	24,0	10,0	39,5	22	50
B226 18 3/4	18,0	G3/4	24,0	11,0	41,5	30	20
B226 20 1/2	20,0	G1/2	24,0	10,0	39,5	22	25
B226 20 3/4	20,0	G3/4	24,0	11,0	41,5	30	20

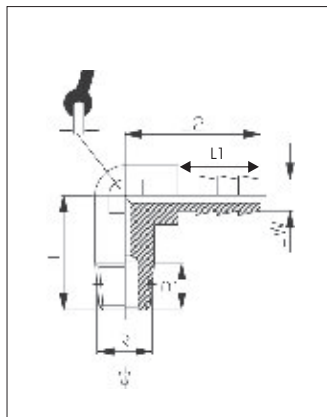
## B213



## CROIX MALE-FEMELLE-FEMELLE-FEMELLE

CODE	A1	A2	B	C	D		
B213 1/8	R1/8	G1/8	8,0	18,5	42,0	10	25
B213 1/4	R1/4	G1/4	11,0	23,5	51,0	13	25
B213 3/8	R3/8	G3/8	11,5	26,0	56,0	17	25
B213 1/2	R1/2	G1/2	14,0	31,0	67,0	21	20

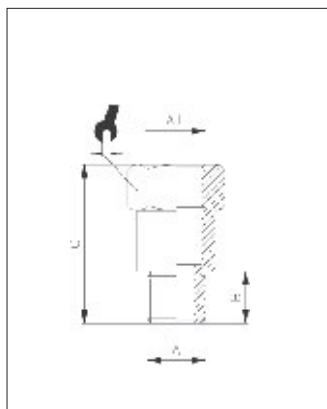
## B240



## DOUILLE CANNELEE EN L

CODE	LW	R	B	L	L1	L2		
B240 6 1/8	6,0	R1/8	8,0	18,5	14,0	22,5	8	50
B240 6 1/4	6,0	R1/4	11,0	23,0	14,0	23,0	9	50
B240 7 1/8	7,0	R1/8	8,0	18,5	14,0	22,5	8	50
B240 7 1/4	7,0	R1/4	11,0	23,0	14,0	23,0	9	50

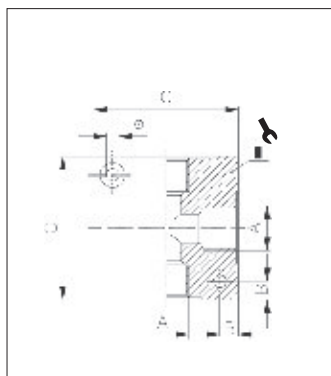
## B220



## RACCORD EGAL

CODE	A	A1	B	C		
B220 181422	G1/8	G1/8	6,0	22,0	14	50
B220 181442	G1/8	G1/8	6,0	42,0	14	50
B220 181451	G1/8	G1/8	6,0	51,0	14	50
B220 141735	G1/4	G1/4	8,0	35,0	17	50
B220 141751	G1/4	G1/4	8,0	51,0	17	50

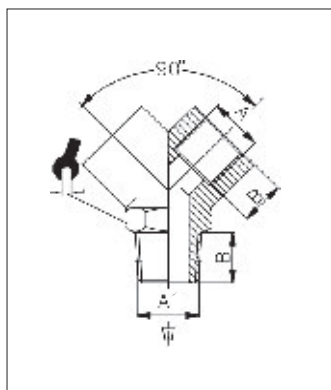
### B237



### BLOC DE RACCORDEMENT EN ALUMINIUM - 4 VOIES

CODE	A	C	Ø		
B237 1/8	G1/8	25,0	4,5	16	50
B237 1/4	G1/4	40,0	5,5	20	25
B237 3/8	G3/8	50,0	5,5	25	10
B237 1/2	G1/2	50,0	5,5	30	10

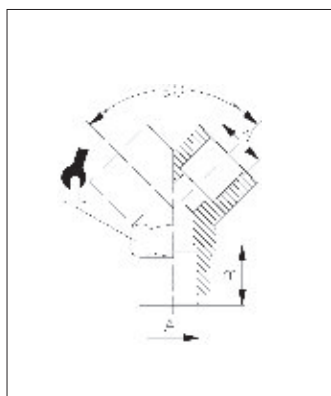
### B210



### Y FEMELLE - MALE - FEMELLE

CODE	A	B		
B210 1/8	1/8	8,0	13	25
B210 1/4	1/4	11,0	17	25
B210 3/8	3/8	11,5	20	20
B210 1/2	1/2	14,0	25	10

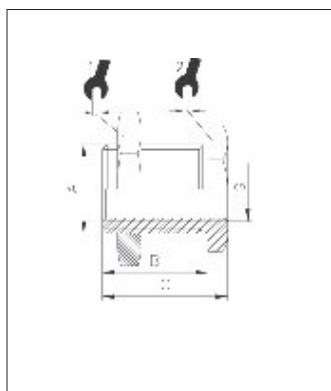
### B211



### Y FEMELLE

CODE	A	B		
B211 1/8	G1/8	8,0	13	25
B211 1/4	G1/4	11,0	17	25
B211 3/8	G3/8	11,5	20	20
B211 1/2	G1/2	14,0	25	10

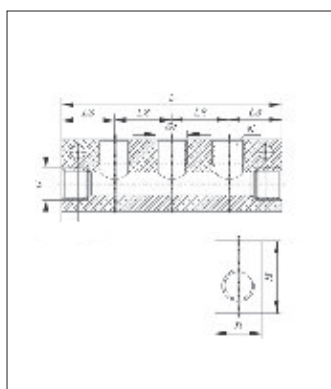
### B233



### TRAVERSEE DE CLOISON FEMELLE

CODE	G	A	B	C			
B233 M5	M5	M10x1	10,5	14,0	14	14	50
B233 1/8	G1/8	M16x1,5	14,0	18,0	22	19	50
B233 1/4	G1/4	M20x1,5	21,0	25,0	27	24	50
B233 3/8	G3/8	M26x1,5	21,0	26,0	32	30	25
B233 1/2	G1/2	M28x1,5	27,0	33,0	36	32	20

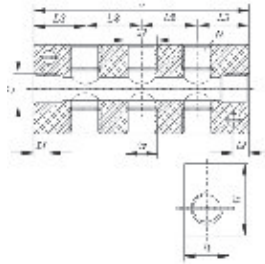
### B238



### BLOC DE RACCORDEMENT EN ALUMINIUM

CODE	G	G1	B	H	L2	L3	L	N	
B238 1/8 2	G1/4	G1/8	20,0	30,0	30,0	15,5	61,0	2,0	25
B238 1/8 3	G1/4	G1/8	20,0	30,0	30,0	15,5	91,0	3,0	25
B238 1/8 4	G1/4	G1/8	20,0	30,0	30,0	15,5	121,0	4,0	25
B238 1/8 5	G1/4	G1/8	20,0	30,0	30,0	15,5	151,0	5,0	25
B238 1/4 2	G3/8	G1/4	20,0	30,0	36,0	19,0	74,0	2,0	25
B238 1/4 3	G3/8	G1/4	20,0	30,0	36,0	19,0	110,0	3,0	25
B238 1/4 4	G3/8	G1/4	20,0	30,0	36,0	19,0	146,0	4,0	25
B238 1/4 5	G3/8	G1/4	20,0	30,0	36,0	19,0	182,0	5,0	25

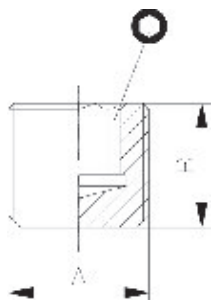
## B239



## BLOC DE RACCORDEMENT EN ALUMINIUM

CODE	G	G1	B	H	L2	L3	L	N	
B239 1/8 22	G1/4	G1/8	20,0	30,0	30,0	15,5	61,0	2+2	25
B239 1/8 33	G1/4	G1/8	20,0	30,0	30,0	15,5	91,0	3+3	25
B239 1/8 44	G1/4	G1/8	20,0	30,0	30,0	15,5	121,0	4+4	25
B239 1/8 55	G1/4	G1/8	20,0	30,0	30,0	15,5	151,0	5+5	25
B239 1/4 22	G3/8	G1/4	20,0	40,0	36,0	19,0	74,0	2+2	25
B239 1/4 33	G3/8	G1/4	20,0	40,0	36,0	19,0	110,0	3+3	25
B239 1/4 44	G3/8	G1/4	20,0	40,0	36,0	19,0	146,0	4+4	25
B239 1/4 55	G3/8	G1/4	20,0	40,0	36,0	19,0	182,0	5+5	25

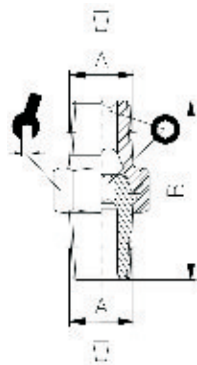
## B241



## BOUCHON MALE CONIQUE

CODE	A	B		
* B241 1/8	R1/8	8,0	5	50
* B241 1/4	R1/4	10,0	6	50
* B241 3/8	R3/8	11,0	8	50
* B241 1/2	R1/2	13,0	10	25

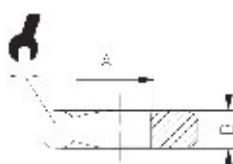
## B250



## RACCORD 3 PIECES

CODE	A	B			
B250 1/8	R1/8	27,0	15	5	50
B250 1/4	R1/4	34,0	19	6	25
B250 3/8	R3/8	36,0	22	8	10
B250 1/2	R1/2	44,0	27	12	10
B250 3/4	R3/4	52,0	36	14	5
B250 1	R1	65,0	46	19	1

## B232



## ECROU

CODE	A	B		
B232 1/8	G1/8	4,5	14	50
B232 1/4	G1/4	5,0	17	50
B232 3/8	G3/8	5,5	19	50
B232 1/2	G1/2	6,0	24	25
B232 3/4	G3/4	6,0	32	20
B232 1	G1	8,0	38	10



TRANSMATIK

---

TRANSMATIK

4 RUE DES ESSIOS  
51430 BEZANNES

TEL : 03.26.86.45.42  
FAX : 03.26.86.49.11  
[www.transmatik.fr](http://www.transmatik.fr)

Informations : [ma.bur@transmatik.fr](mailto:ma.bur@transmatik.fr)

ACCESSOIRES PNEUMATIQUES